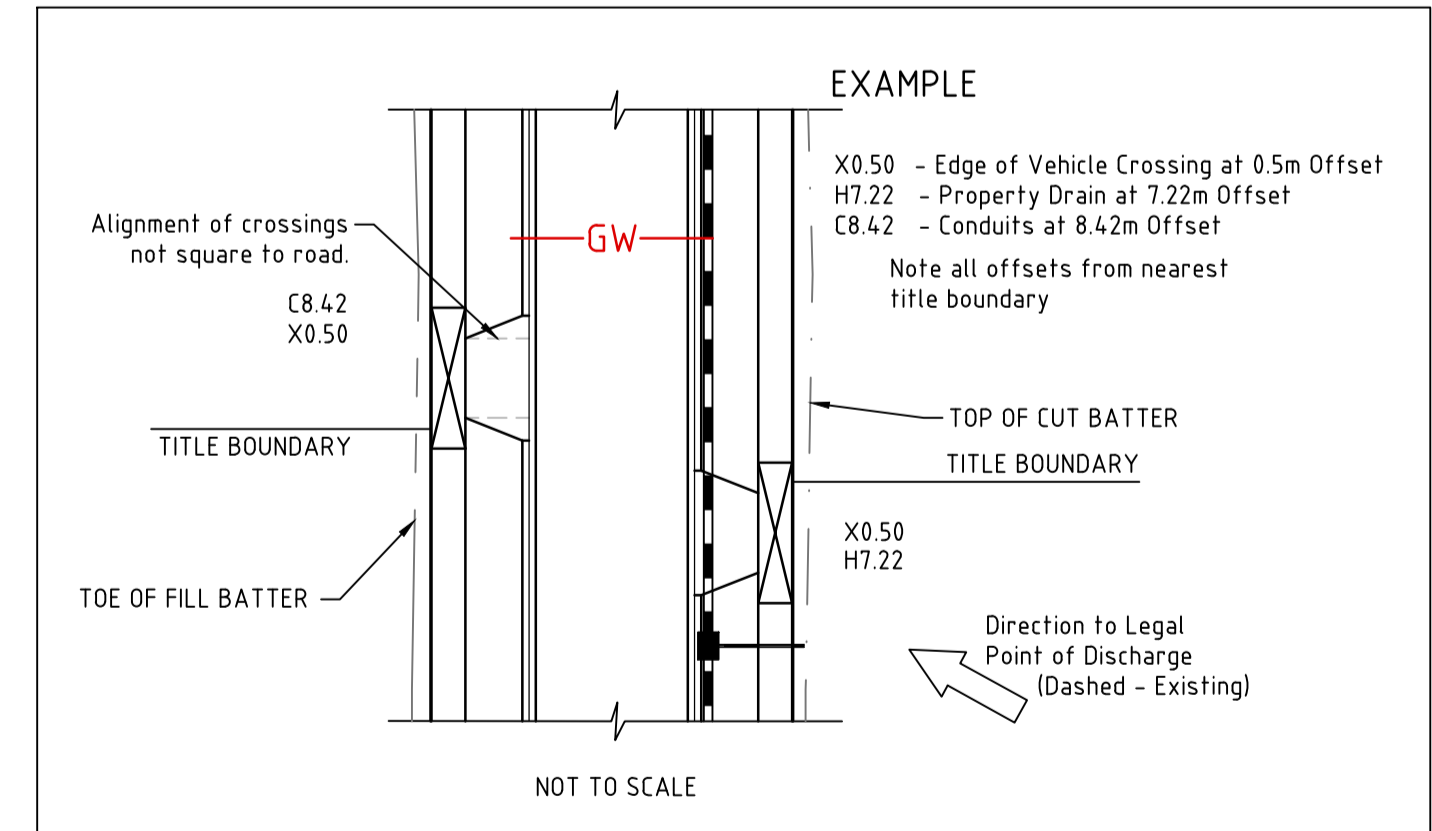


LEGEND	
	DRAIN, PROPERTY INLET & PIT
	SEWER AND MAINTENANCE HOLE
	HOUSE DRAIN
	EX WATER MAIN, VALVE & HYDRANT
	EX GAS MAIN, VALVE
	EX TELSTRA SERVICES & PITS
	RECYCLED WATER
	ELECTRICAL U.G. SERVICES
	ELECTRICAL SERVICE & PIT
	EX ELECTRICAL ASSETS
	EX ELECTRICAL OVERHEADS
	GAS & WATER CONDUITS
	TOP OF BATTER
	TOE OF BATTER
	CUT EARTHWORKS - CUT AREA WITHIN LOTS GREATER THAN 200mm DEPTH
	FILL EARTHWORKS - FILL AREA WITHIN LOTS GREATER THAN 200mm DEPTH
	Top 133.63 TOP OF RETAINING WALL LEVEL
	Toe 132.13 TOE OF RETAINING WALL LEVEL
	RETAINING WALL
	F FINISHED SURFACE AFTER CUTTING OR FILLING
	Fb TOP OF PROPOSED BATTER
	P PROPOSED PAVEMENT OR FOOTPATH SURFACE
	IL EXISTING OR PROPOSED INVERT LEVEL OF PIPE OR OPEN DRAIN
	TP TANGENT POINT
	CH CHANNAGE
	PSM
	EX FENCE
	EX WALL OR BUILDING



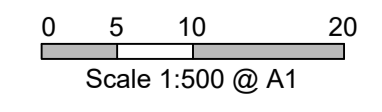
**WARNING**  
BEWARE OF UNDERGROUND SERVICES  
THE LOCATIONS OF UNDERGROUND SERVICES ARE APPROXIMATE ONLY AND THEIR EXACT POSITION SHOULD BE PROVEN ON SITE. NO GUARANTEE IS GIVEN THAT ALL EXISTING SERVICES ARE SHOWN.

**PRELIMINARY PLAN ONLY**  
NOT APPROVED FOR CONSTRUCTION

H:\22344\STAGE 4\CAD\DWG\SET\ROAD AND DRAINAGE\22344\_4R2.DWG

THIS DRAWING IS NOT TO BE COPIED OR SCALED

VERSION	REMARKS	DATE	BY
H	EASEMENTS AMENDED	23.02.22	BB
G	SERVICE CONDUITS OF LOTS 430 & 435 AND DRAINAGE PIT IN LOT 415 RELOCATED	22.02.22	JB
F	DIMENSIONS OF LOT 419 - 425 AMENDED	18.02.22	HD
E	DRIVEWAYS OF LOT 414 AND 416 AMENDED	14.02.22	JB
D	RETAINING WALL FOR LOTS 430-435 AMENDED	11.02.22	JB



DRAWN BY	K. MOMENI	DESIGNED BY	J. BOSCO
MELWAY	131, E10	CHECKED BY	X.XXXXX
DATUM	AHD	AUTHORISED BY	H. DAY

**REEDS CONSULTING**

LAND SURVEYING  
CIVIL ENGINEERING  
PLANNING  
LANDSCAPE ARCHITECTURE  
DEVELOPMENT CONSULTING

www.reedsconsulting.com.au  
engineering@reedsconsulting.com.au

Lvl 6, 440 Elizabeth Street Melbourne Victoria 3000  
p 031 8660 3000

Copyright © Reeds Consulting Pty Ltd  
All Rights Reserved 2001

CITY OF CASEY  
HONOUR VILLAGE ESTATE  
STAGE 4  
LAYOUT PLAN

DRAWING No.	4R2	VERSION	H
REFERENCE	22344E/4		
SHEET	02	OF	XX